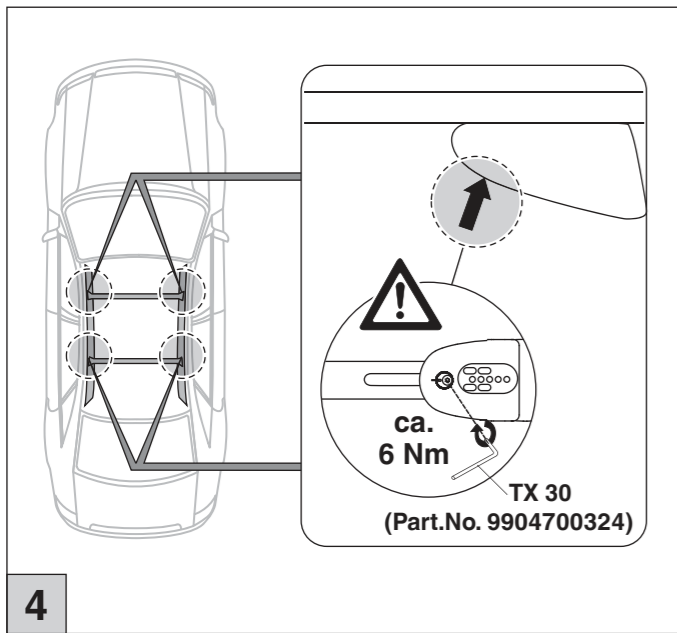
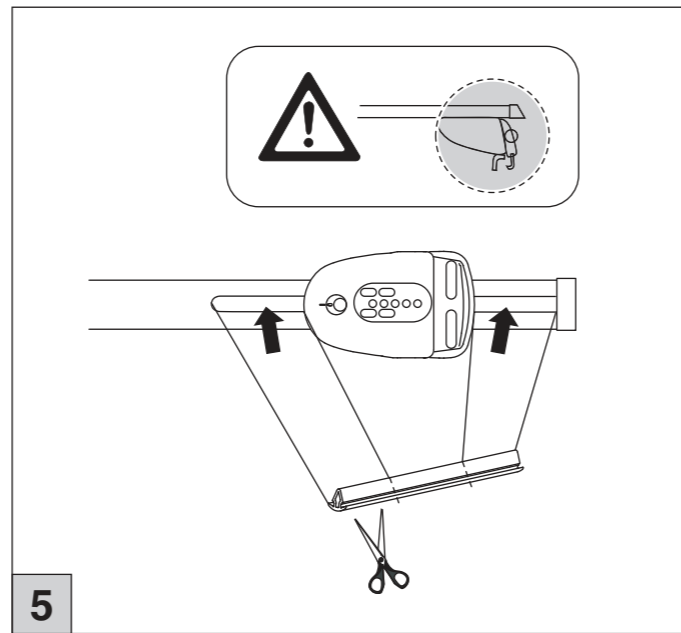


# Atera SIGNO

Audi  
A3 Sportback Reling (8Y) 06/2020-

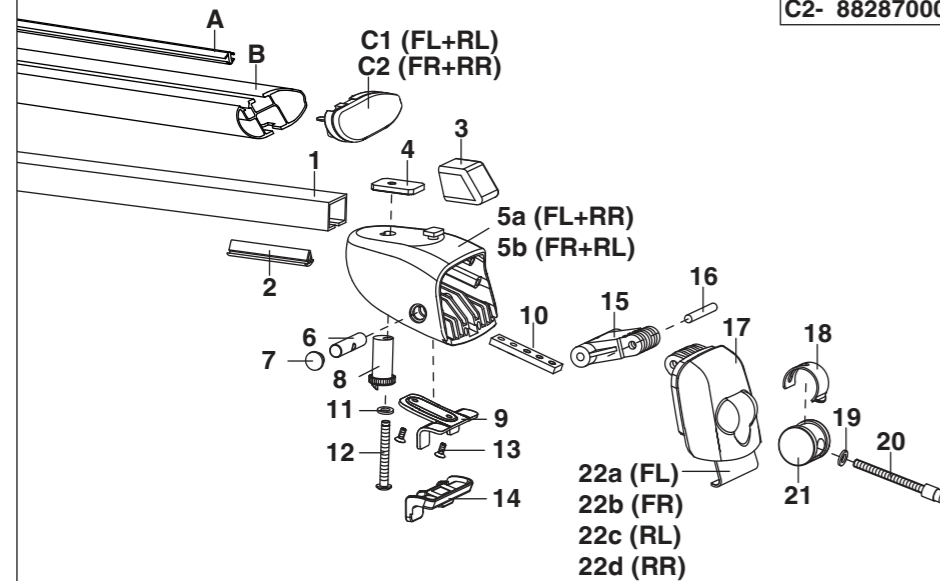


4

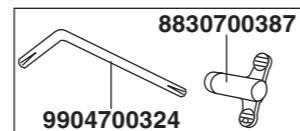


5

nur bei Art.Nr.: 047 387  
only for part no.: 047 387  
A- 9919700163  
B- 9945700223  
C1- 8828700062  
C2- 8828700063



- 1- 9945700092
- 2- 9919700143
- 3- 9945700105
- 4- 9912700051
- 5a- 9918700526
- 5b- 9918700527
- 6- 9923700009
- 7- 9918700250
- 8- 9918700249
- 9- 9904700335
- 10- 9912700086
- 11- 9910700004
- 12- 9908700231
- 13- 9908700209
- 14- 9918700228
- 15- 9918700246
- 16- 9917700010
- 17- 9918700588
- 18- 9918700245
- 19- 9910700004
- 20- 9908700375
- 21- 9918700247
- 22a- 9949701947
- 22b- 9949701947
- 22c- 9949701947
- 22d- 9949701947

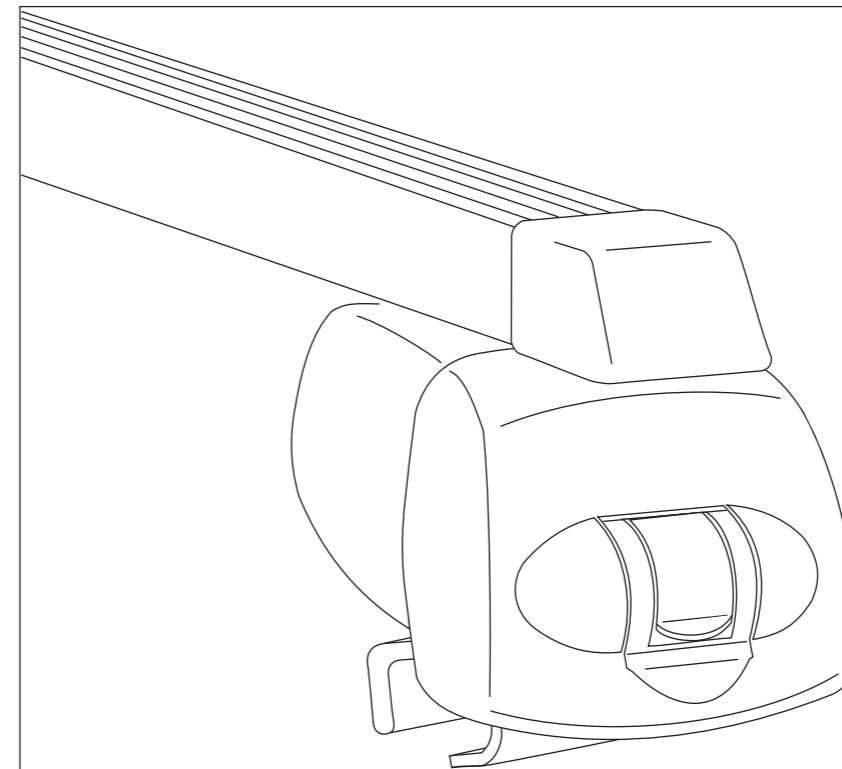
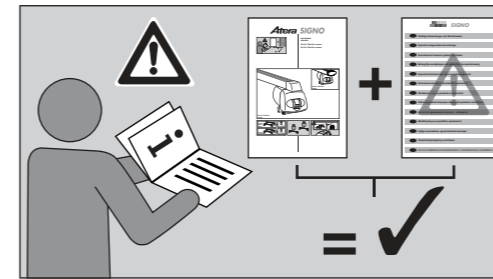


6

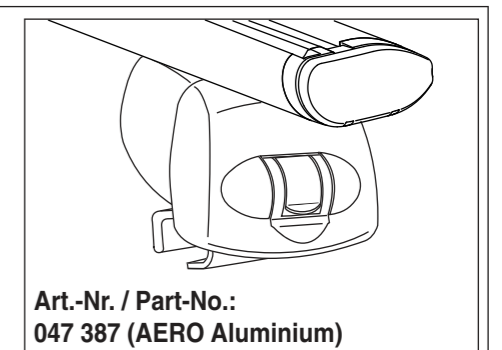
# Atera SIGNO

Audi  
A3 Sportback (8Y) 06/2020-  
(mit Reling / with rail / avec rails de toit)

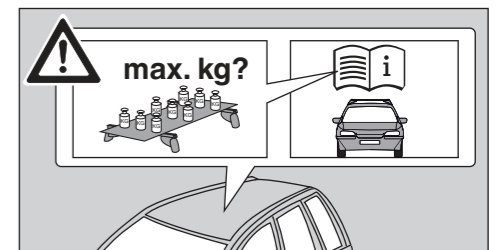
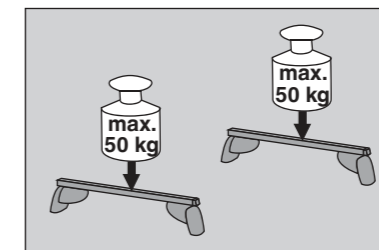
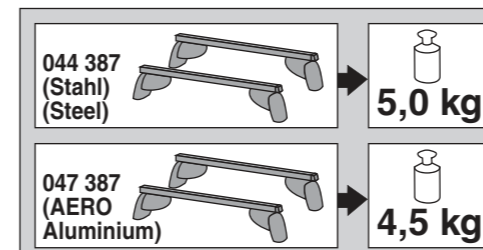
Art.-Nr. / Part-No.: 044 387  
Art.-Nr. / Part-No.: 047 387



Art.-Nr. / Part-No. :  
044 387 (Stahl / Steel)



Art.-Nr. / Part-No.:  
047 387 (AERO Aluminium)



**Atera**  
GERMAN ENGINEERING

Atera GmbH  
Im Herrach 1  
D-88299 Leutkirch  
Internet: www.atera.de



© ATERA GmbH  
Ref.-Nr.: 044 387\_096594438700\_992570050200  
Ref.-Nr.: 047 387\_096594738700\_992570050200  
Stand/State: 21/10/2020 – Rev 00 Ver 00

# Atera SIGNO

Audi  
A3 Sportback Reling (8Y)

06/2020-

# Atera SIGNO

Audi  
A3 Sportback Reling (8Y)

06/2020-

