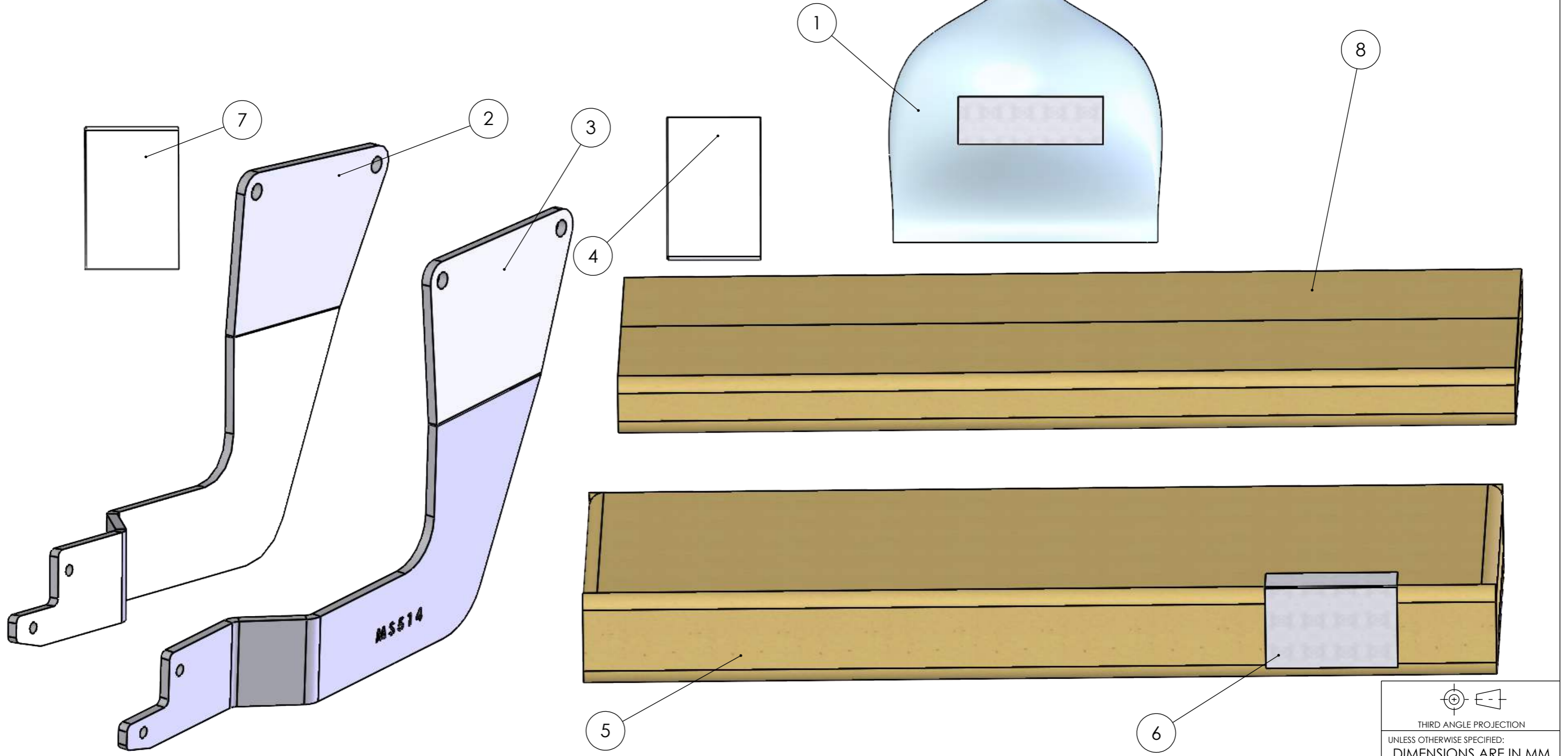
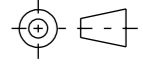


ITEM NO.	PART NUMBER	DESCRIPTION	QTY.
1	FK903	Expert/Dispatch/Proace 2016- Safestep Bolt Kit	1
2	MS513	2016- Expert Safestep/ Impact step Outrigger LH	1
3	MS514	2016- Expert Safestep / Impact step Outrigger RH	1
4	INSSK025	Customer Instruction Sheet(s)	1
5	PA471	AccessStep Outrigger Box	1
6	LA038	Printed Label, Kit Box	1
7	RPI001EU	Rhino Products Information Sheet	1
8	PA470	AccessStep Outrigger Box - Insert	1

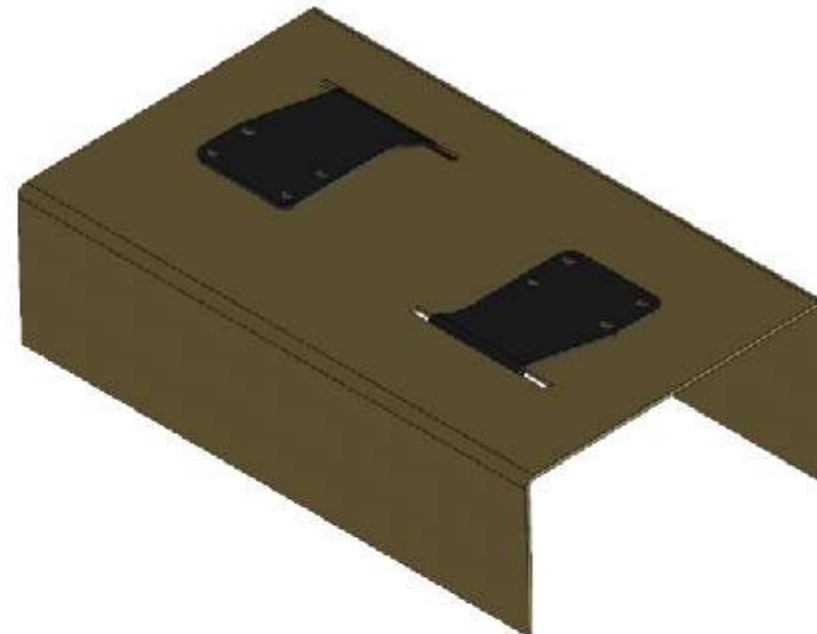
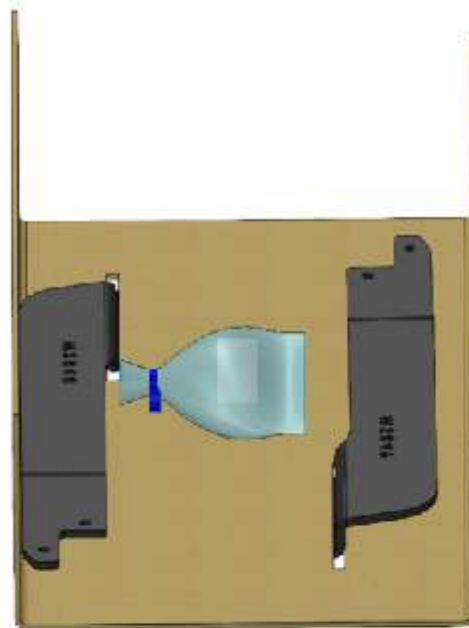
ISSUE:	DRAWN BY:	CHECKED BY:	CRF NO:	DATE:	DESCRIPTION:
a	CH	KB	1325	12/08/16	
b	JH	KB	3114	13/12/23	Changed PA222 and PA256 to PA470 and PA471



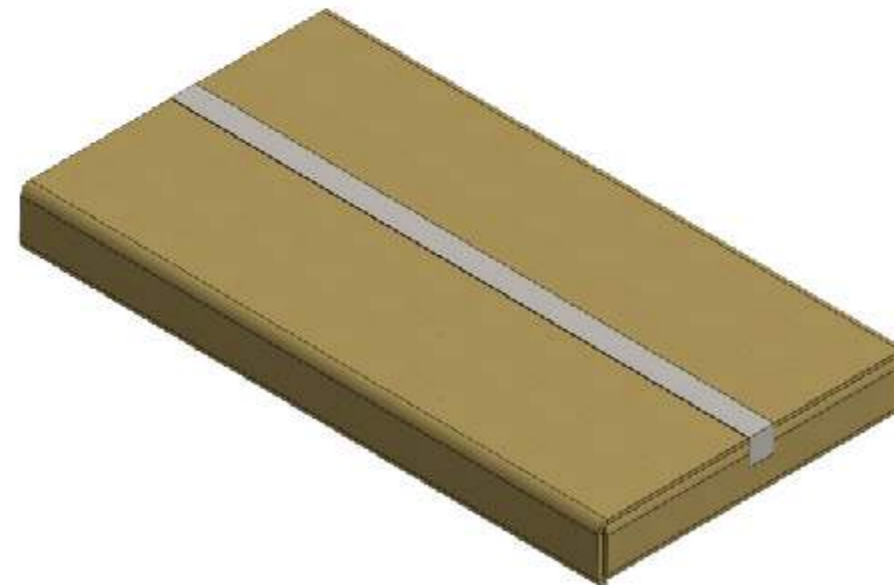
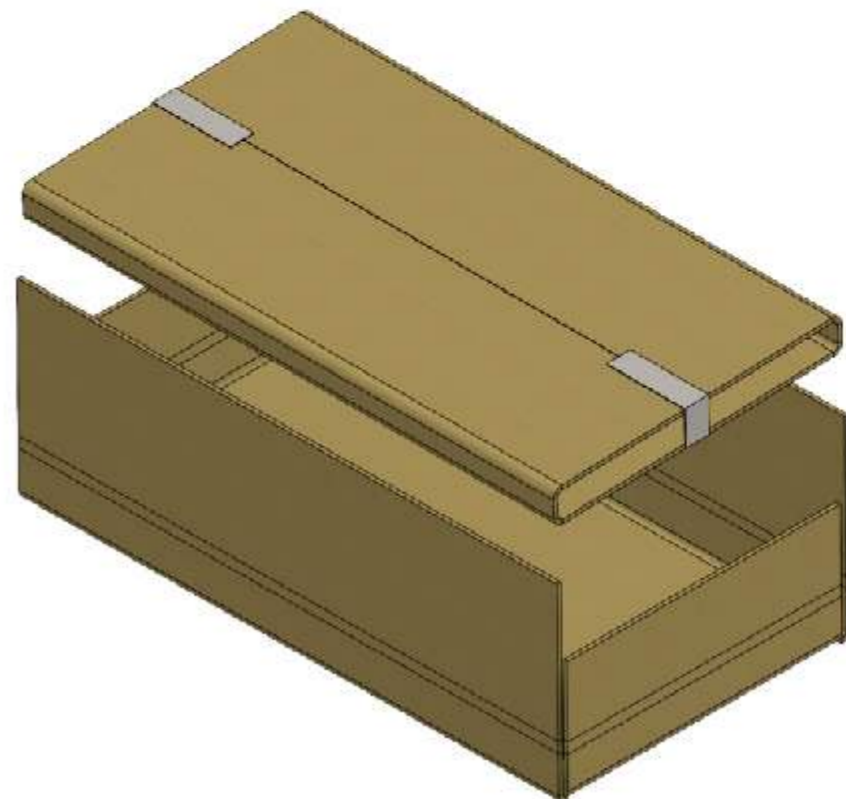
DRAWING NO: SSK025 (1 of 9)		DESCRIPTION: Expert/Dispatch/ Proace 2016- Outrigger Fitting Kit		DESIGNED BY: C. Horsefield 12/08/16	
MATERIAL SIZE: n/a		MATERIAL SPEC: n/a		WEIGHT: 7.48Kg	
© NOTE: This drawing is the property of Rhino Products Ltd and must not be used or copied without written consent. The Rhino Products name and logo must remain clearly visible in any reproduction.					

 THIRD ANGLE PROJECTION	
UNLESS OTHERWISE SPECIFIED: DIMENSIONS ARE IN MM	
0.00	±0.2
0.0	±0.5
ANG	±0.5°
DERIVED DIMENSIONS SHOWN IN BRACKETS	
DEBURR AND BREAK ALL SHARP EDGES	
SHEET SIZE A3	SHEET SCALE: 1:3

ISSUE:	DRAWN BY:	CHECKED BY:	CRF NO:	DATE:	DESCRIPTION:
a	CH	KB	1325	12/08/16	
b	JH	KB	3114	13/12/23	Changed PA222 and PA256 to PA470 and PA471



- Slide outriggers into PA470 as shown, with the longest parts on the inside.
- Place fitting kit inside PA470 with the outriggers.
- Place tape on either end of PA470 to secure the tabs in place.
- Place PA470 into PA471 and seal along the top using tape.



DRAWING NO: SSK025 (2of9)	DESCRIPTION: Expert/Dispatch/ Proace 2016- Outrigger Fitting Kit		DESIGNED BY: C. Horsefield 12/08/16
MATERIAL SIZE: n/a	MATERIAL SPEC: n/a	FINISH: n/a	WEIGHT: 7.48Kg
© NOTE: This drawing is the property of Rhino Products Ltd and must not be used or copied without written consent. The Rhino Products name and logo must remain clearly visible in any reproduction.			

 THIRD ANGLE PROJECTION	
UNLESS OTHERWISE SPECIFIED: DIMENSIONS ARE IN MM	
0.00	±0.2
0.0	±0.5
ANG	±0.5°
DERIVED DIMENSIONS SHOWN IN BRACKETS	
DEBURR AND BREAK ALL SHARP EDGES	
SHEET SIZE A3	SHEET SCALE: 1:6

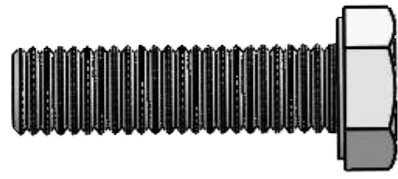
FITTING INSTRUCTIONS



FITTING INSTRUCTIONS

FITTING KIT CONTENTS FK903
(1:1)

1.



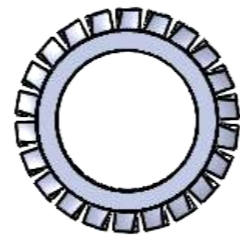
FB006 (M8 x 30) x 4



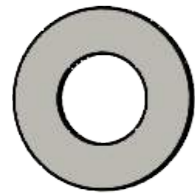
FS082 (M12 x 45) x 4



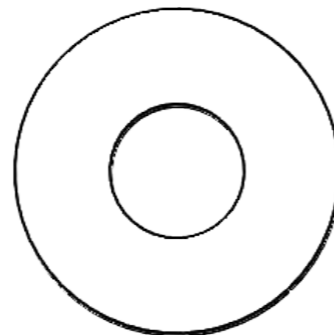
FN006 (M8) x 4



FW029 (M12) x 4



FW021 (M8) x 8



FW026 (M12) x 8

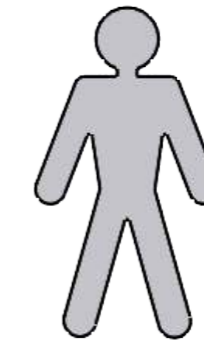
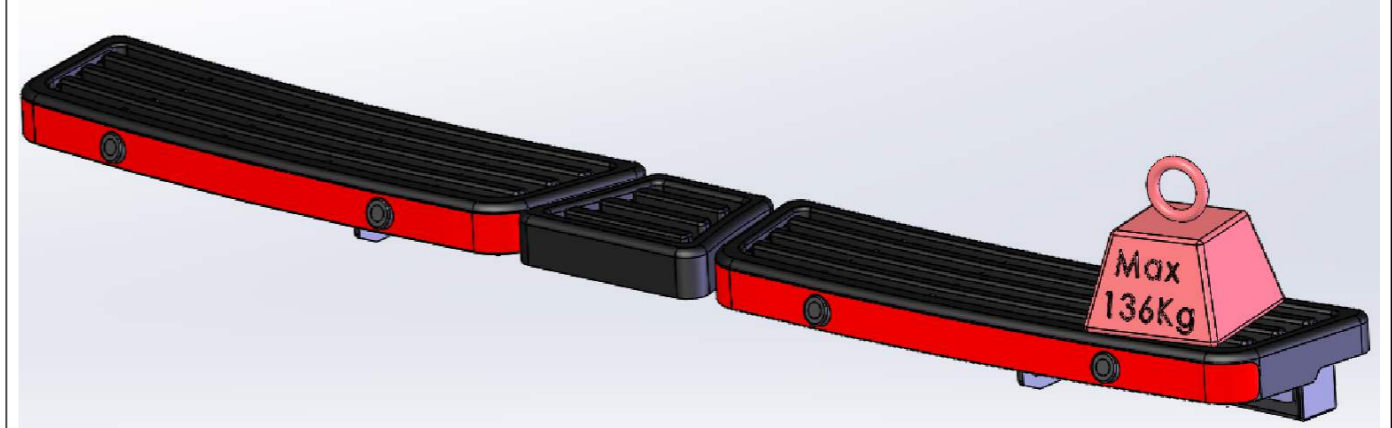


FW020 (M8) x 4

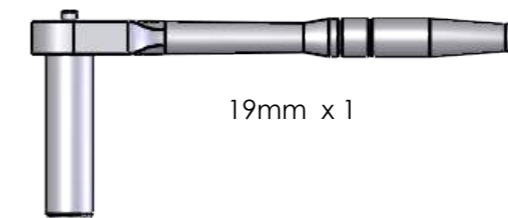
ACCESSSTEP	✗
IMPACT STEP	✓

FITTING TIME: 20 Minutes

2.



x 1



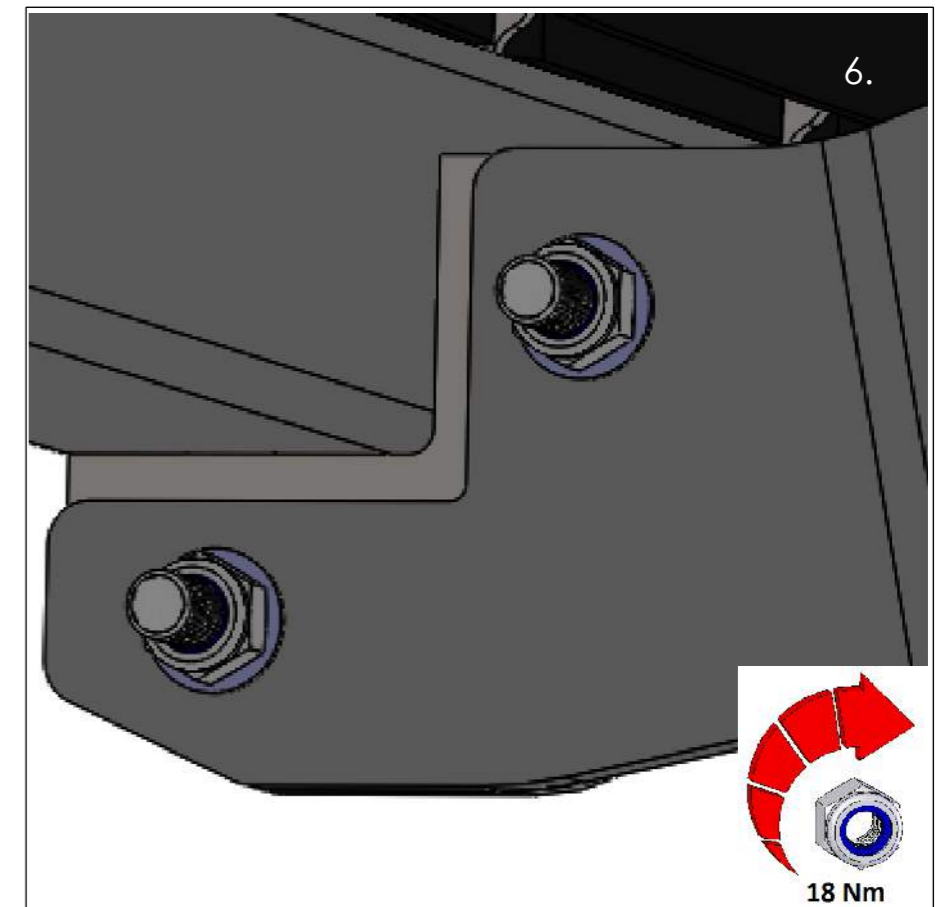
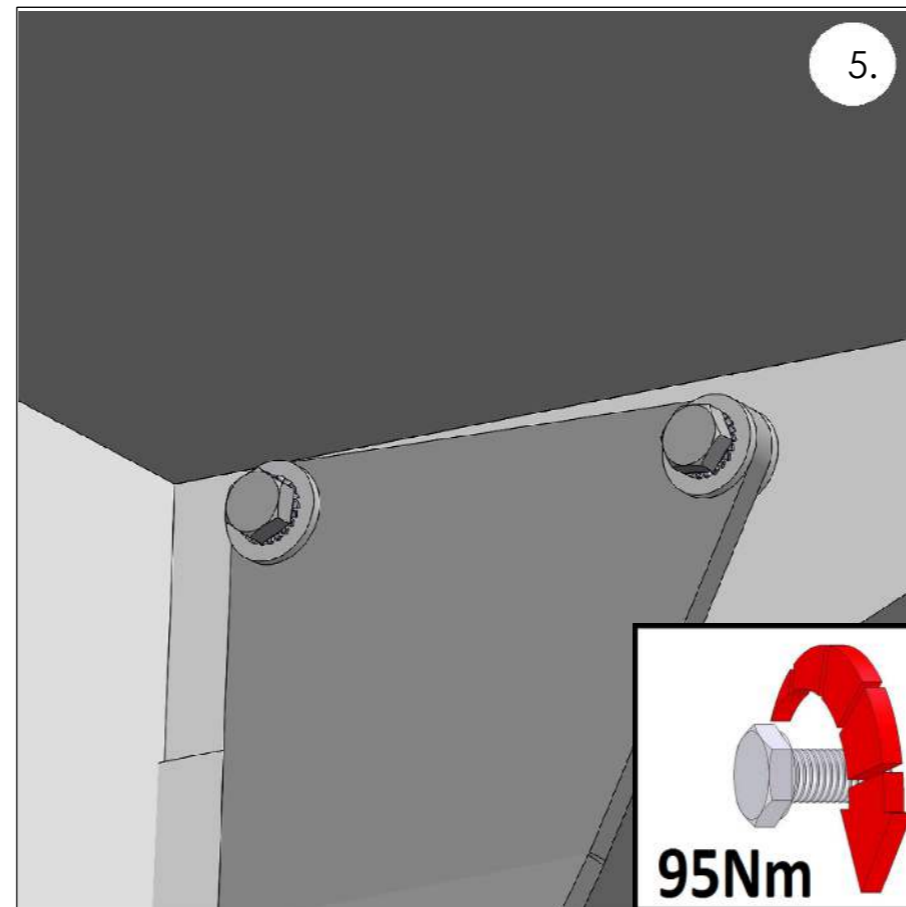
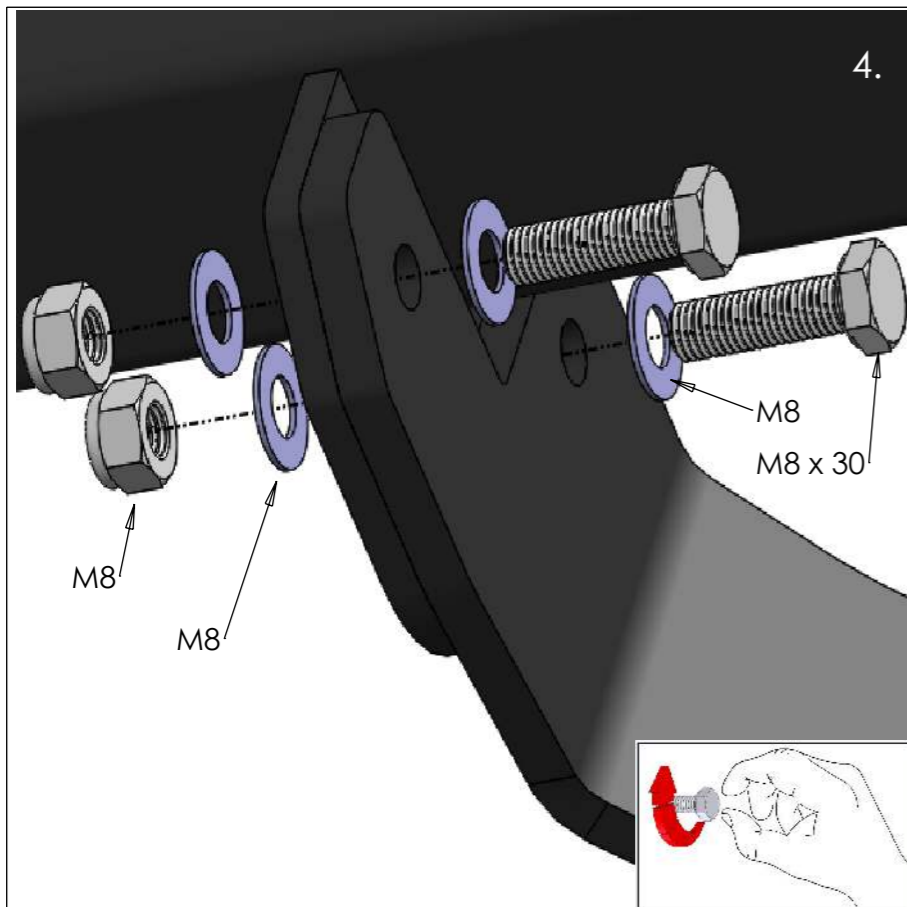
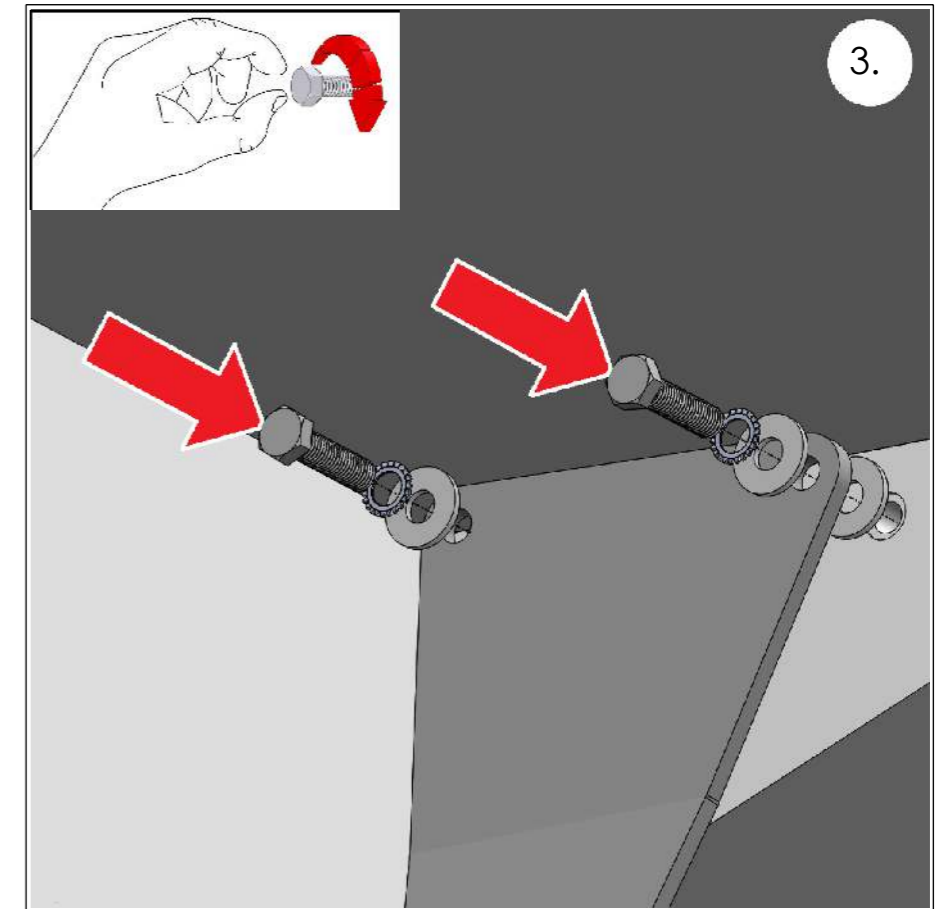
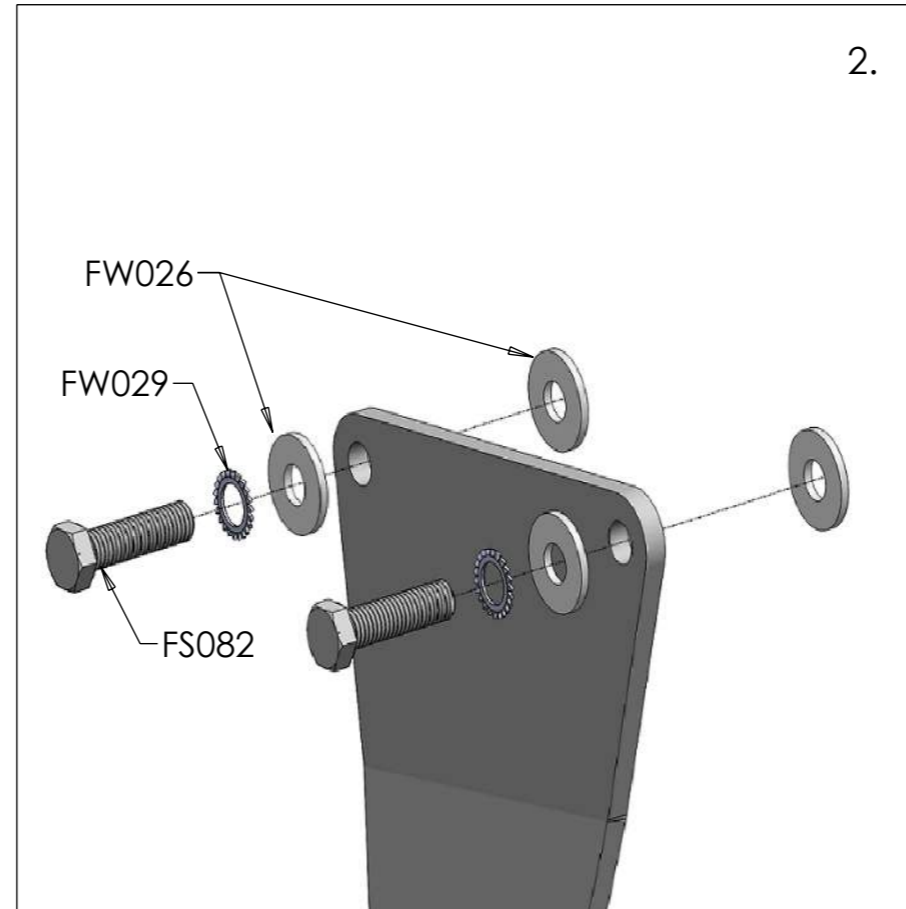
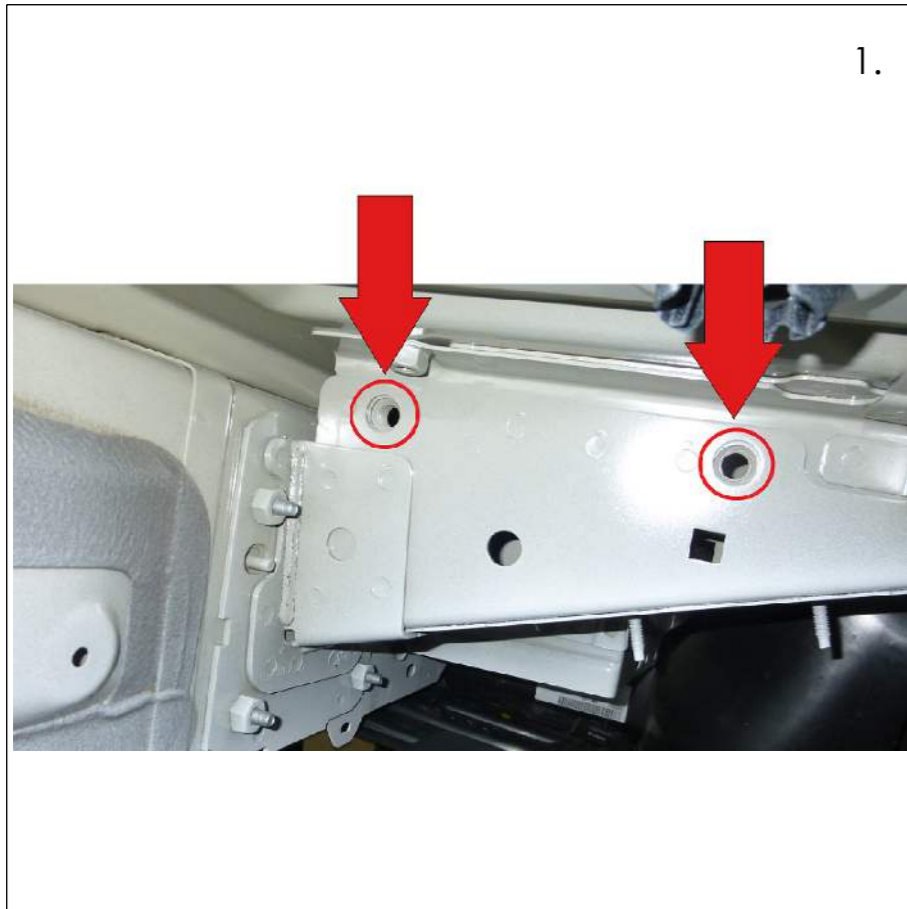
19mm x 1



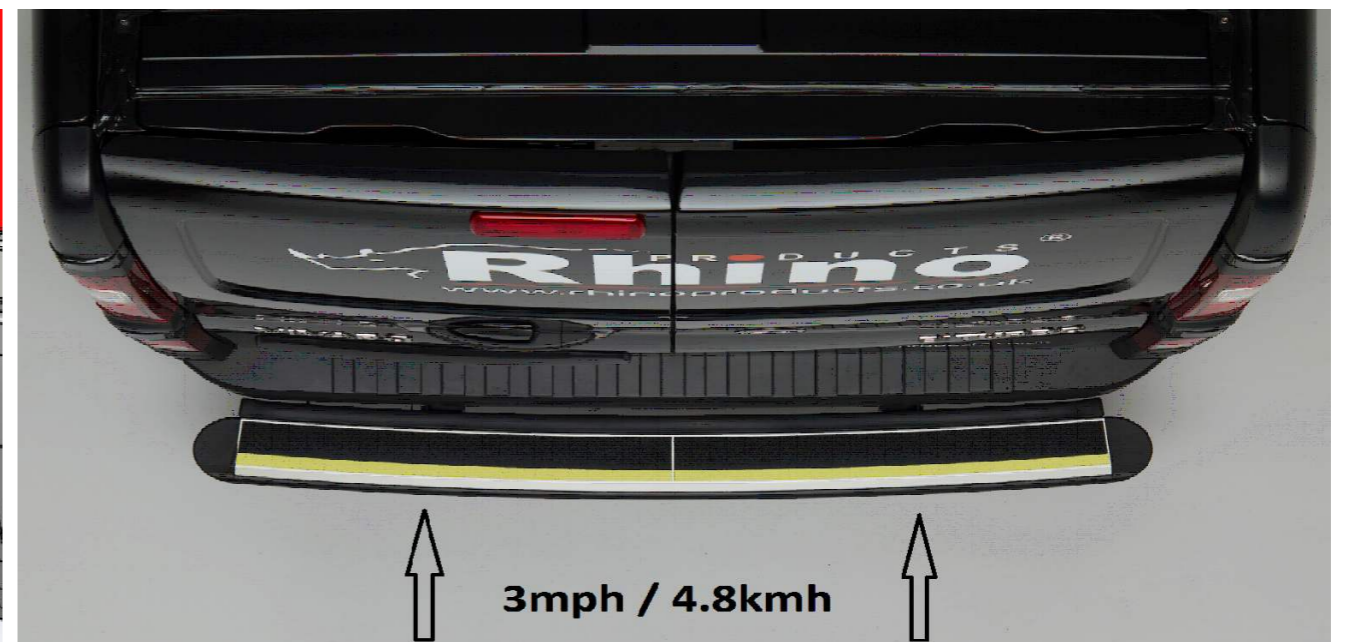
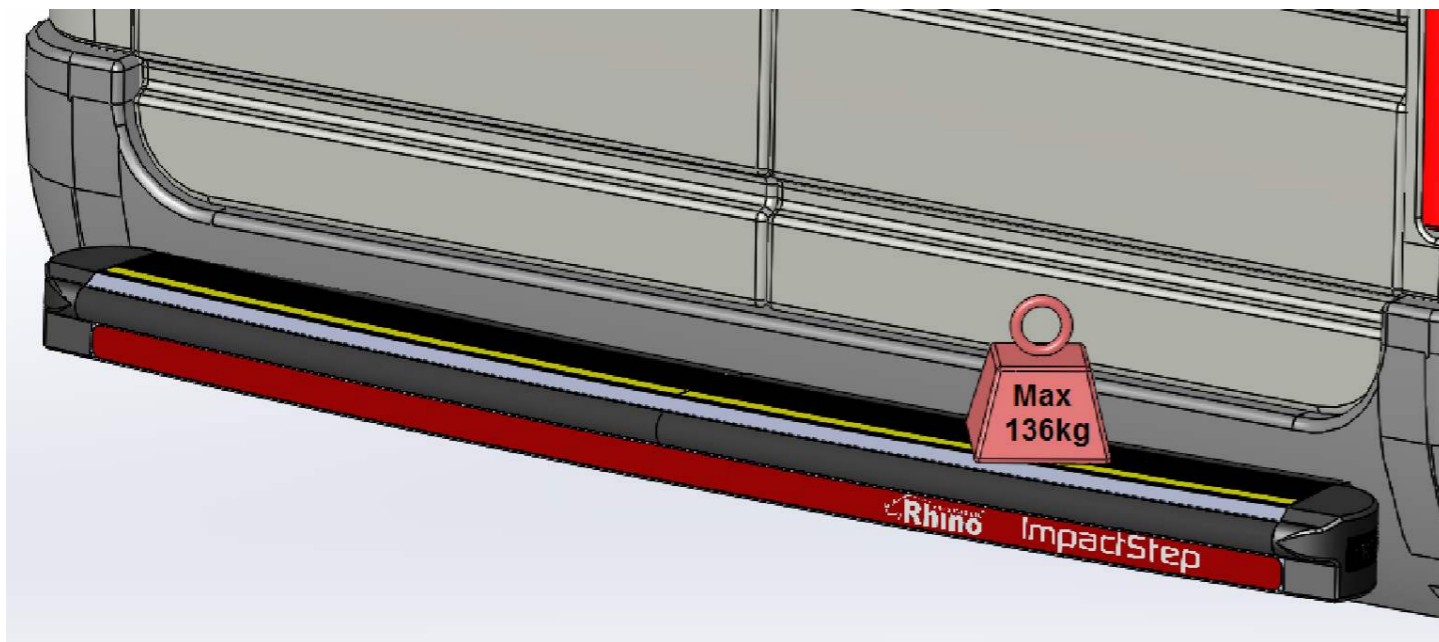
13mm x 1



13mm x 1



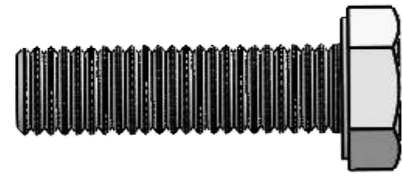
IMPACT STEP FITTING INSTRUCTIONS



FITTING INSTRUCTIONS

FITTING KIT CONTENTS FK903 (1:1)

1.



FB006 (M8 x 30) x 4

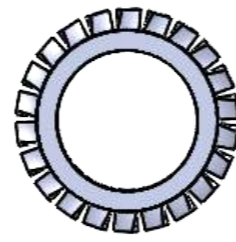


FS082 (M12 x 45) x 4



FN006 (M8) x 4

ACCESSSTEP	✓
IMPACT STEP	✗

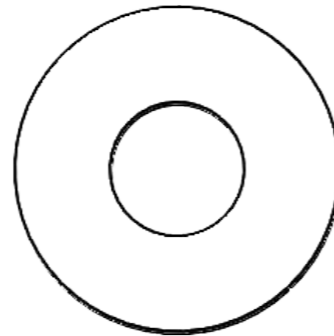


FW029 (M12) x 4



FW021 (M8) x

ACCESSSTEP	8
IMPACT STEP	4



FW026 (M12) x 8



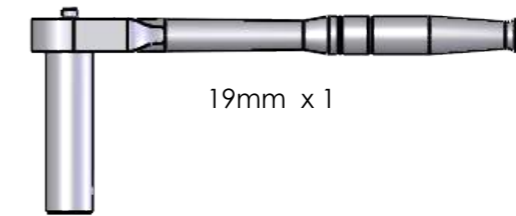
FW020 (M8) x 4

FITTING TIME: 40 Minutes

2.



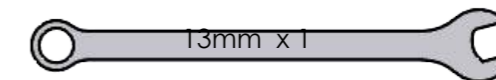
x 1



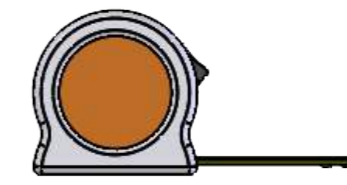
19mm x 1



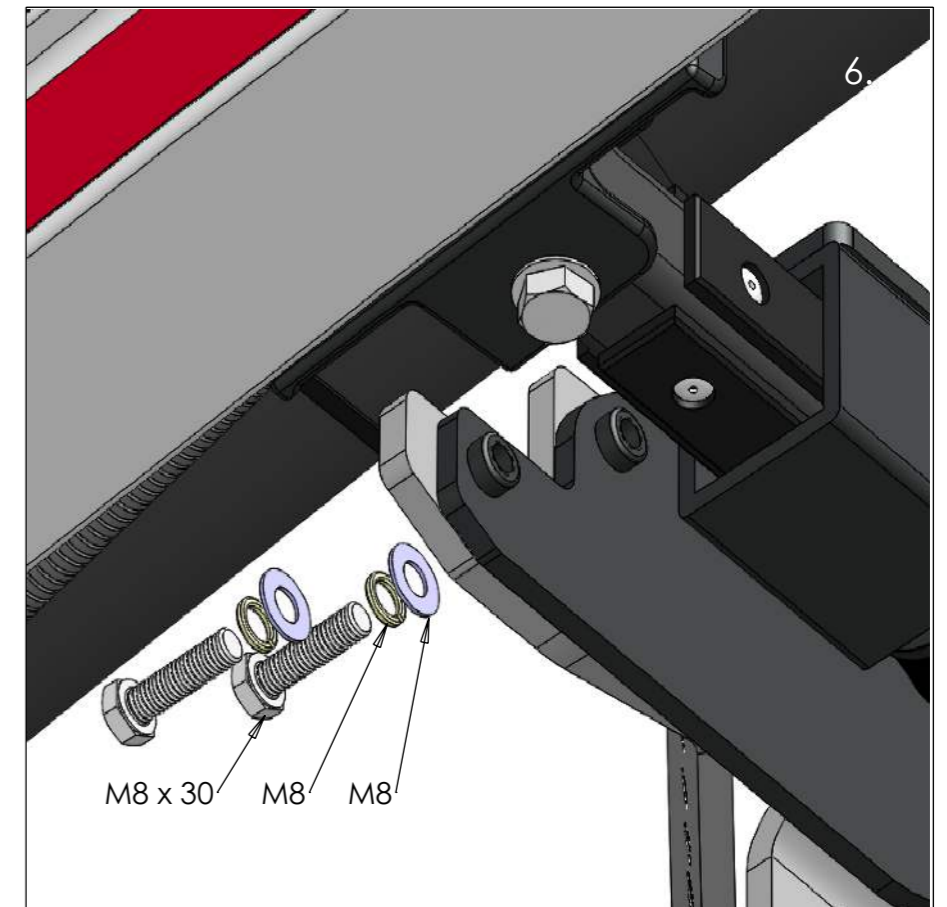
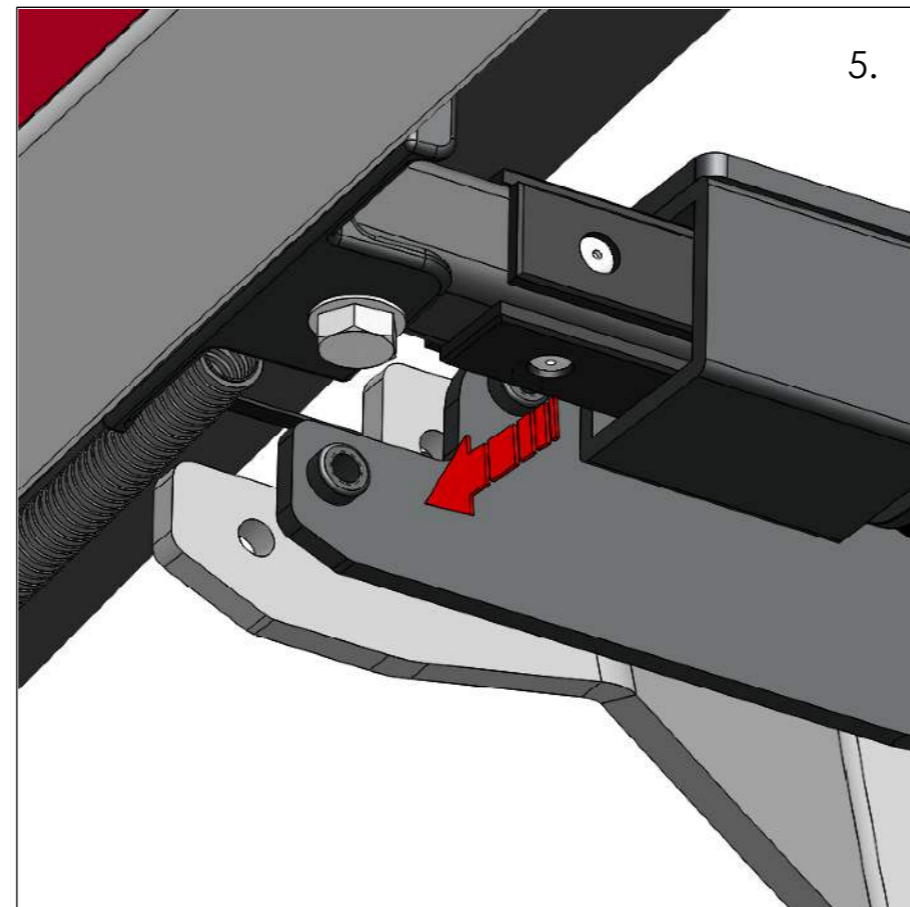
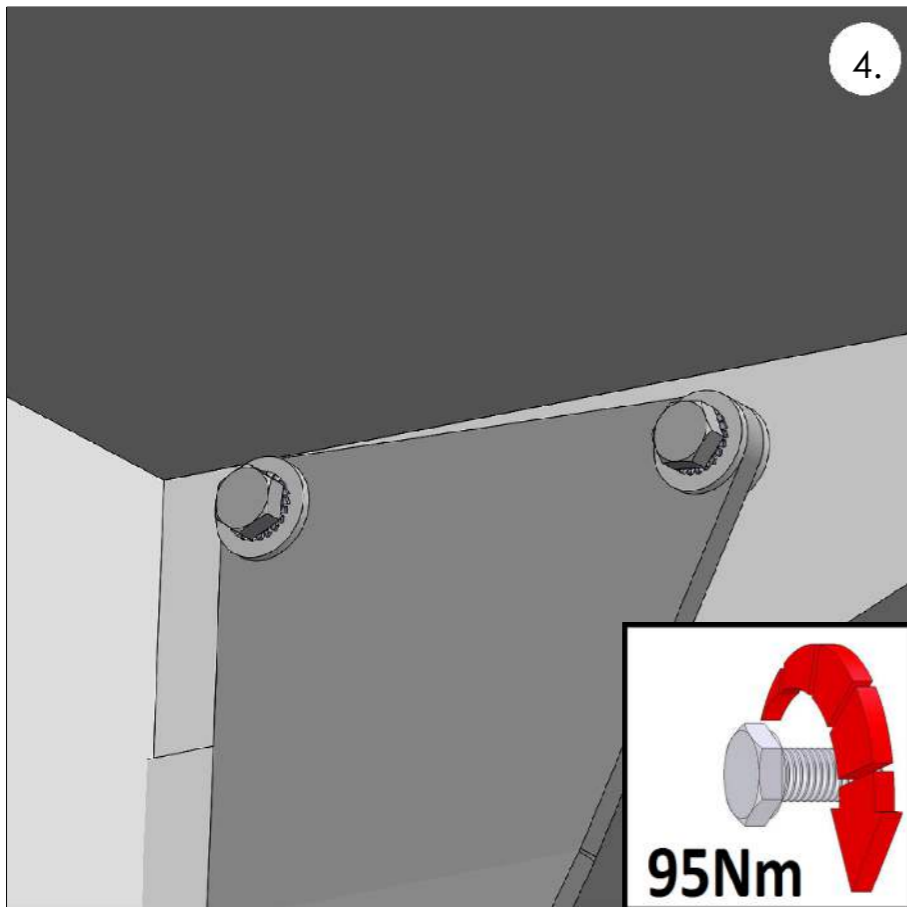
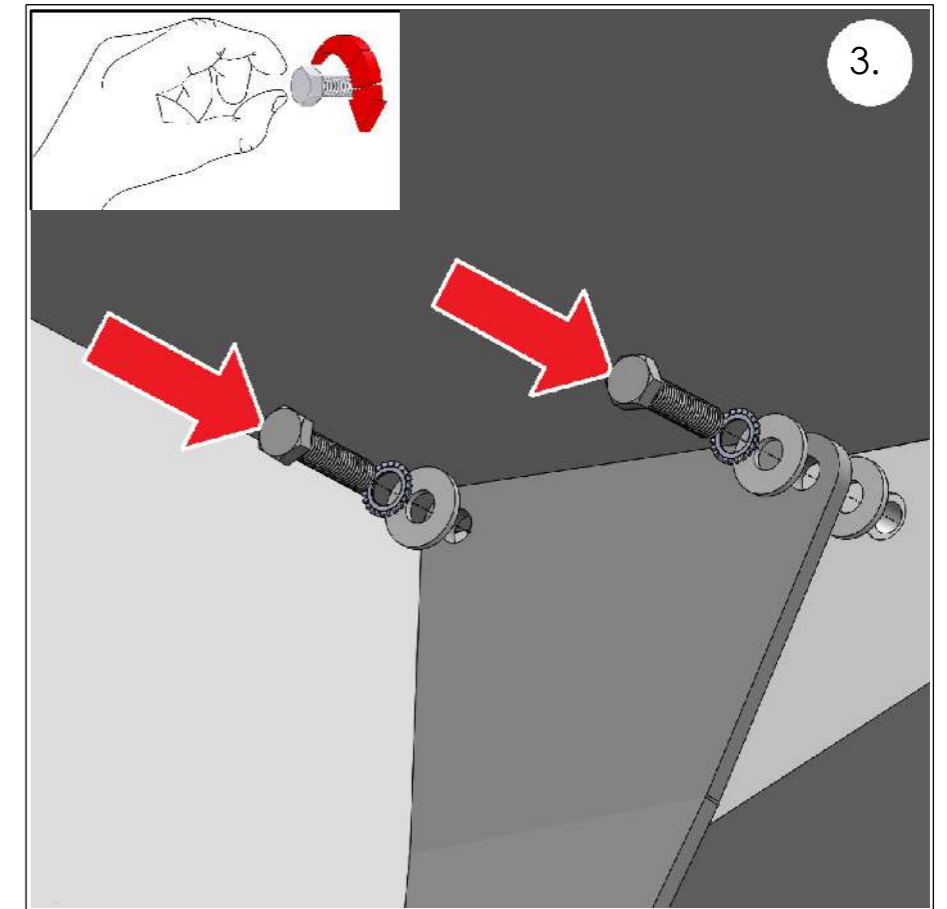
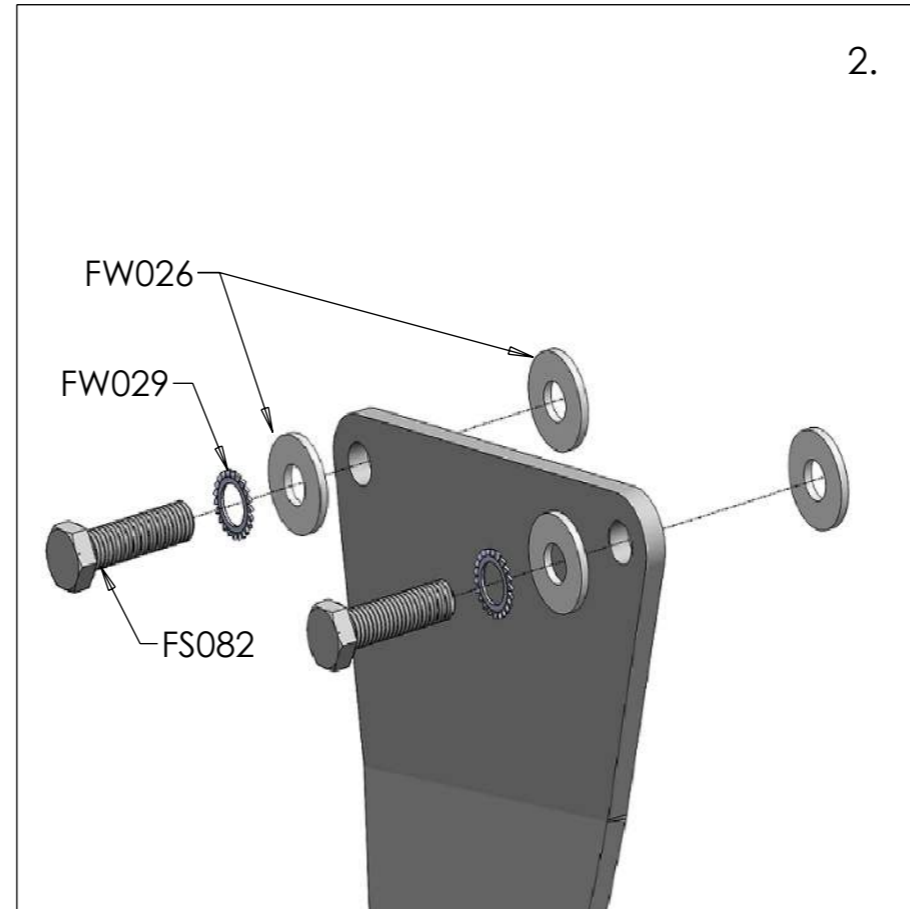
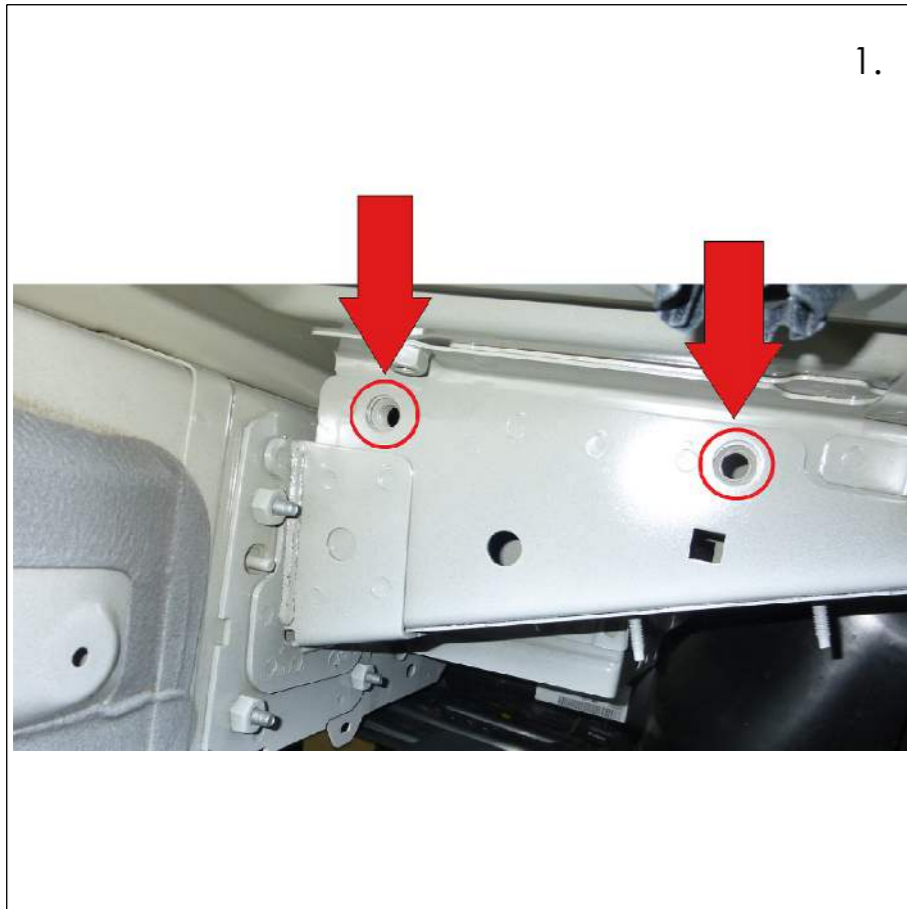
13mm x 1



13mm x 1



x 1



IMPACT STEP FITTING INSTRUCTIONS

